

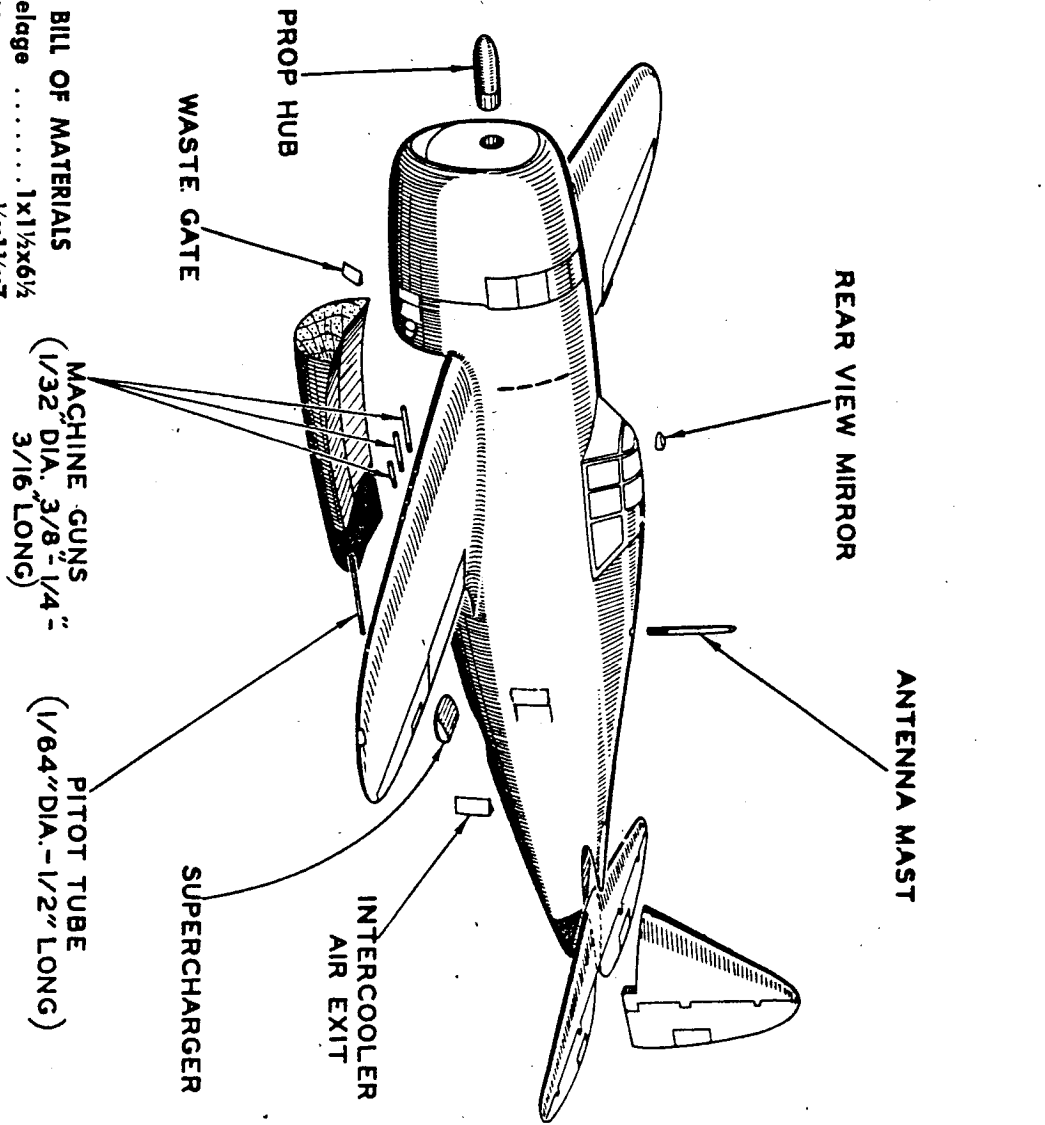
INTERESTING FACTS


One of the largest, fastest and most powerful single-engined fighters yet built. Its weight of over six tons, (with nearly a ton of guns and ammunition) is greater than that of many commercial transports of a few years ago. Built by Republic, and powered by Pratt & Whitney 2000 hp, and armed with 8 wing guns.

IDENTIFICATION

Low-mid monoplane with dihedral from root, entering edge slightly swept back, trailing edge elliptical to round tips. Cowling of balloon shape with shaft above center. Fuselage of deep oval section, cockpit has streamlining ridge. Tapered fin, rounded rudder. Span 40 ft. 9-5/16 in., length 36 ft. 1-3/16 in.

- BILL OF MATERIALS**
- Fuselage 1x1 1/2x6 1/2
 - Wing 1/4x1 1/2x7
 - Fin 1/8x1 3/8x1 1/4
 - Stabilizer 3/8x1 1/2x3
 - Prop. Hub 1/8 dowel



MODEL		MODEL
REPUBLIC P-47D		
U.S. ARMY FIGHTER		
FINAL ASSEMBLY		
SPAN 6-25/32"	SERIAL NO. G-2	DATE 8-3-44
U.S. NAVY BUREAU OF AERONAUTICS WASH., D.C.		