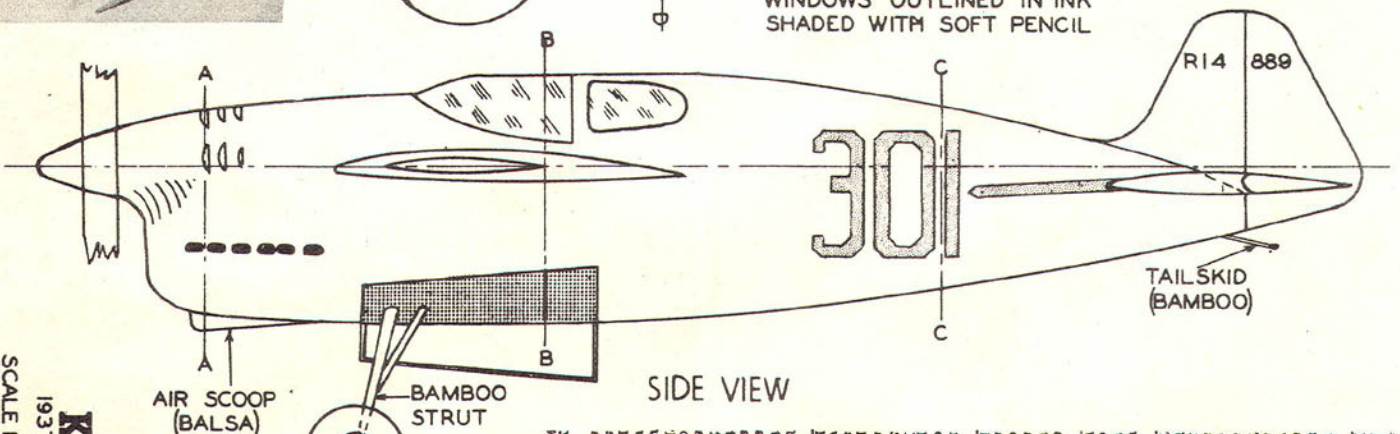
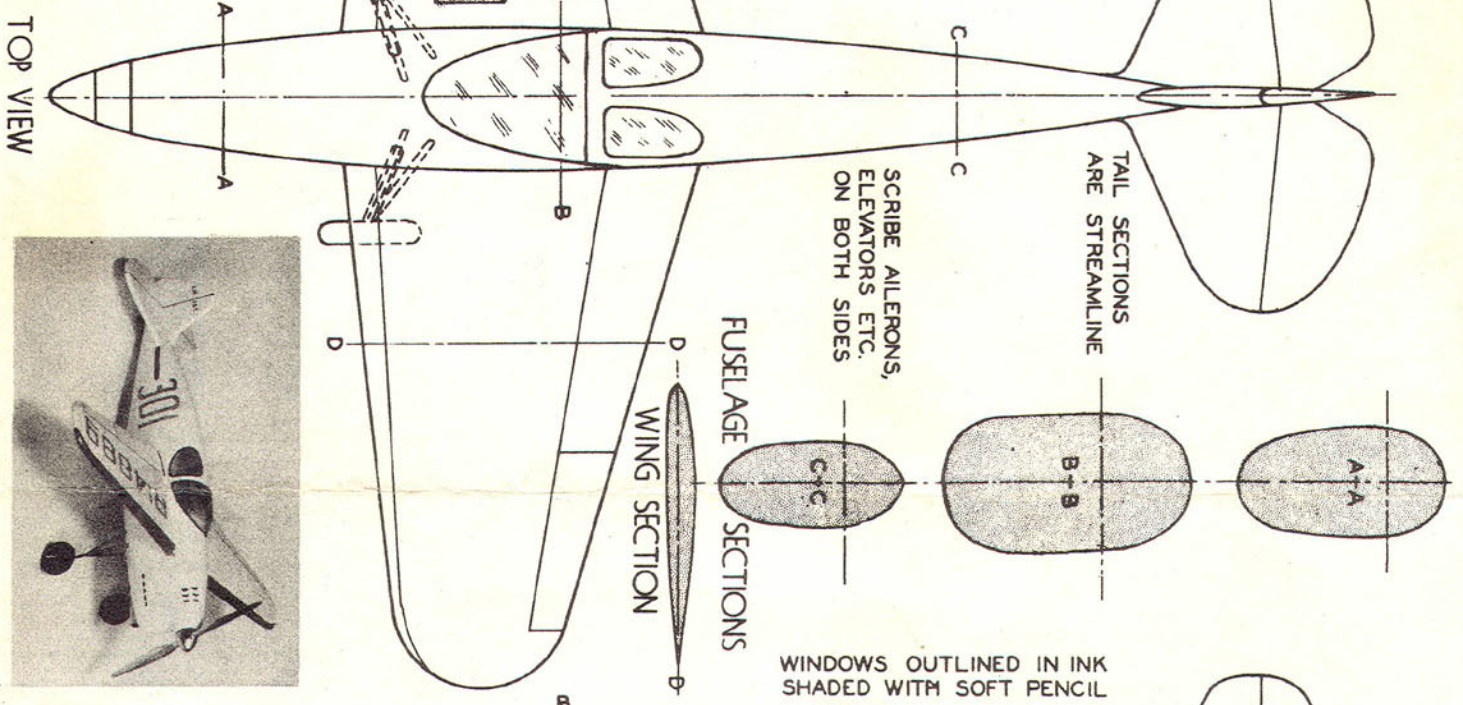
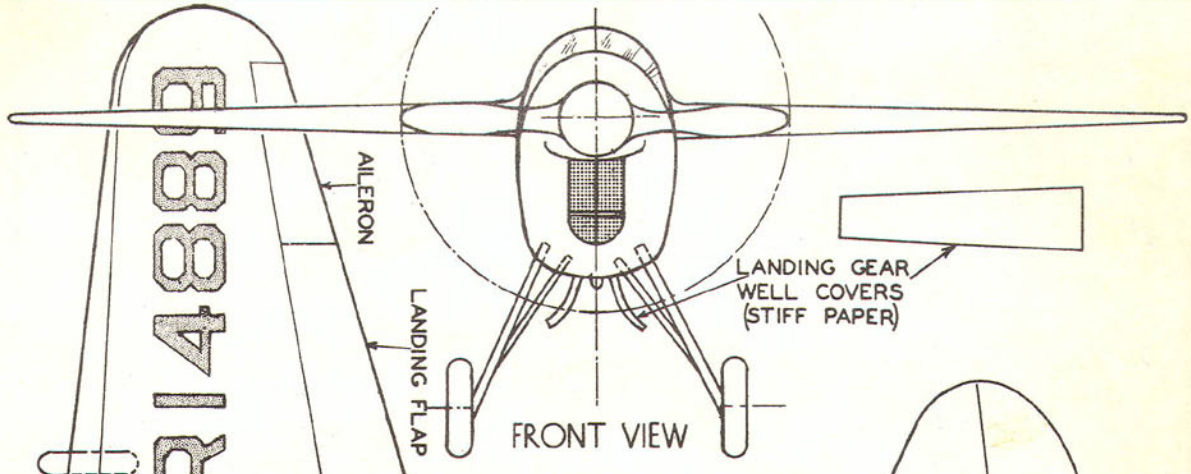
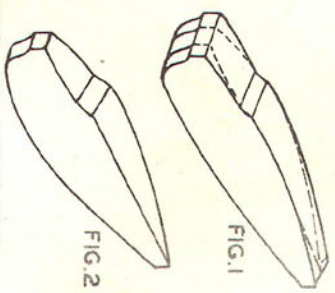


COLOR SCHEME

- CREAM:- ENTIRE SHIP
- RED:- LEADING EDGE OF WING, WING NUMERALS, SPINNER, FUSELAGE STRIPE, LANDING GEAR
- BLACK:- TIRES, EXHAUSTS, FUSELAGE NUMERALS



CARVING OF FUSELAGE



DIRECTIONS

The general routine of construction is the same for all Megow Solid Models.

Fuselage: - Airplanes have the same shape, yet they are all shaped out in the same general manner. The side view of the fuselage cross already printed on the block is cut with wood right to the line, and finish off with sandpaper close to the line. See Figure 1. Trace the pattern of the top view onto the semi-finished block and cut to these lines. See Figure 2. Complete the fuselage by shaping it to the sections given in the plan, finish off with fine sandpaper. Use cardboard templates for accurate work.

Tail Assembly: - Cut the tail parts from the printed piece using a razor blade and sand smooth. Sand these to a streamline shape and cement to rear of fuselage in the proper position.

Wings: - The wings are cut out in the same manner as the fuselage. The only difference is that the wings must be shaped to fit onto the fuselage in the proper position, as shown checking alignment etc.

Landing Gear: - In most cases, turned hardwood wheels are furnished in the kit, if not, cut from printed sheet and sand to shape. If the model has pontoons, proceed as you would with a fuselage. Wheel pants are also shaped by sanding. Split struts from bamboo unless otherwise specified. Always sharpen ends of struts and push into fuselage to secure strength. Use strap pieces of balsa from the printed pieces wherever necessary.

Finishing: - Model, using an ordinary water-color brush. As no colors are furnished in the kit, these may be procured at your dealer. Have it a tip, to hide the grain of the wood and acquire a smooth finish it is best to cover the model with Japanese tissue before painting or wheel, and license numbers or insignia. The appearance of the model depends solely upon the model builder. If he is careful he will be rewarded with a model well worth his patience. Details such as air scoops, inspection windows, ailerons and tail control surfaces, etc. are drawn on using pen and ink. There are many more models like these, at your dealer's, ask for them. Phila., Penna. MEGOW'S Howard & Oxford Str.

KLING'S RACER
1937 THOMPSON TROPHY WINNER
SCALE MODEL 6" SPAN - KIT NUMBER S-32
DRAWING FULL SIZE